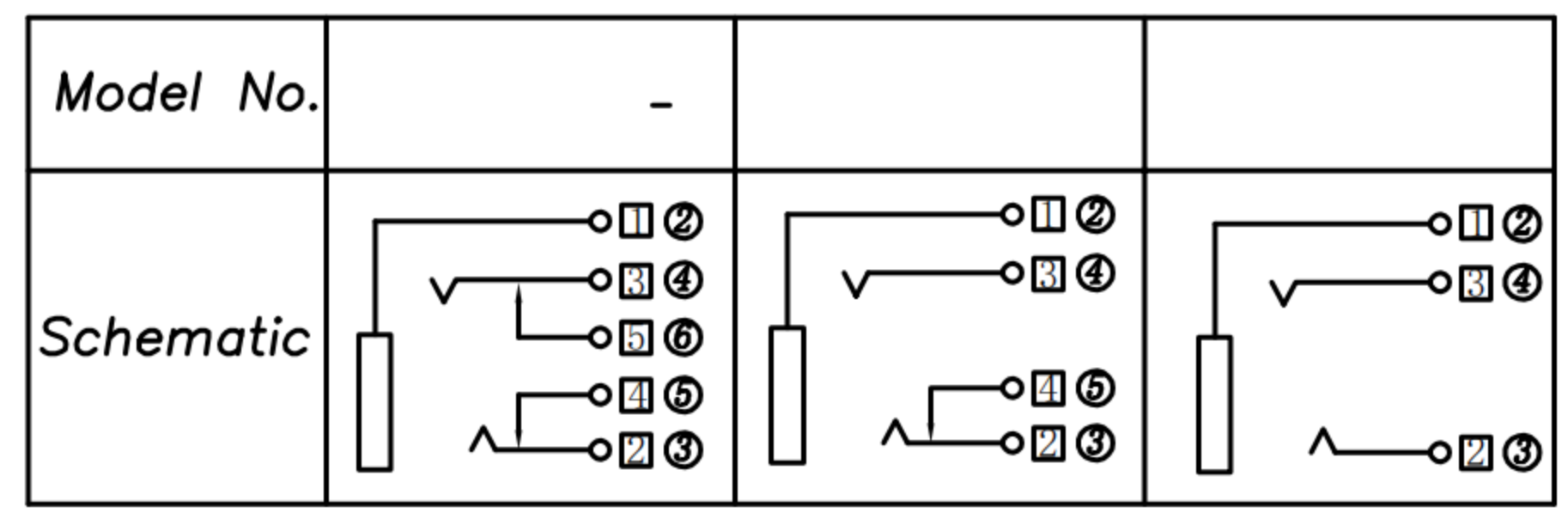
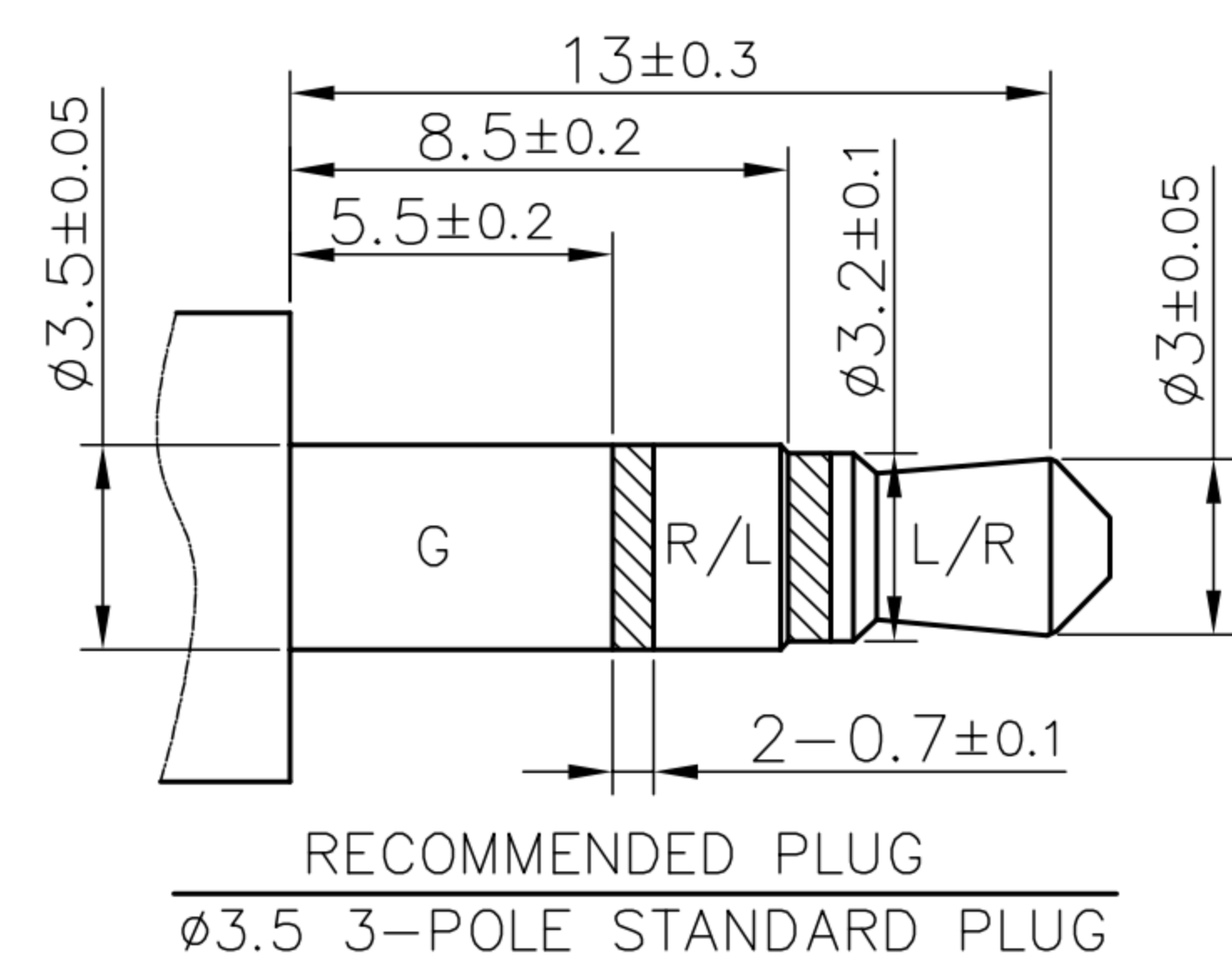
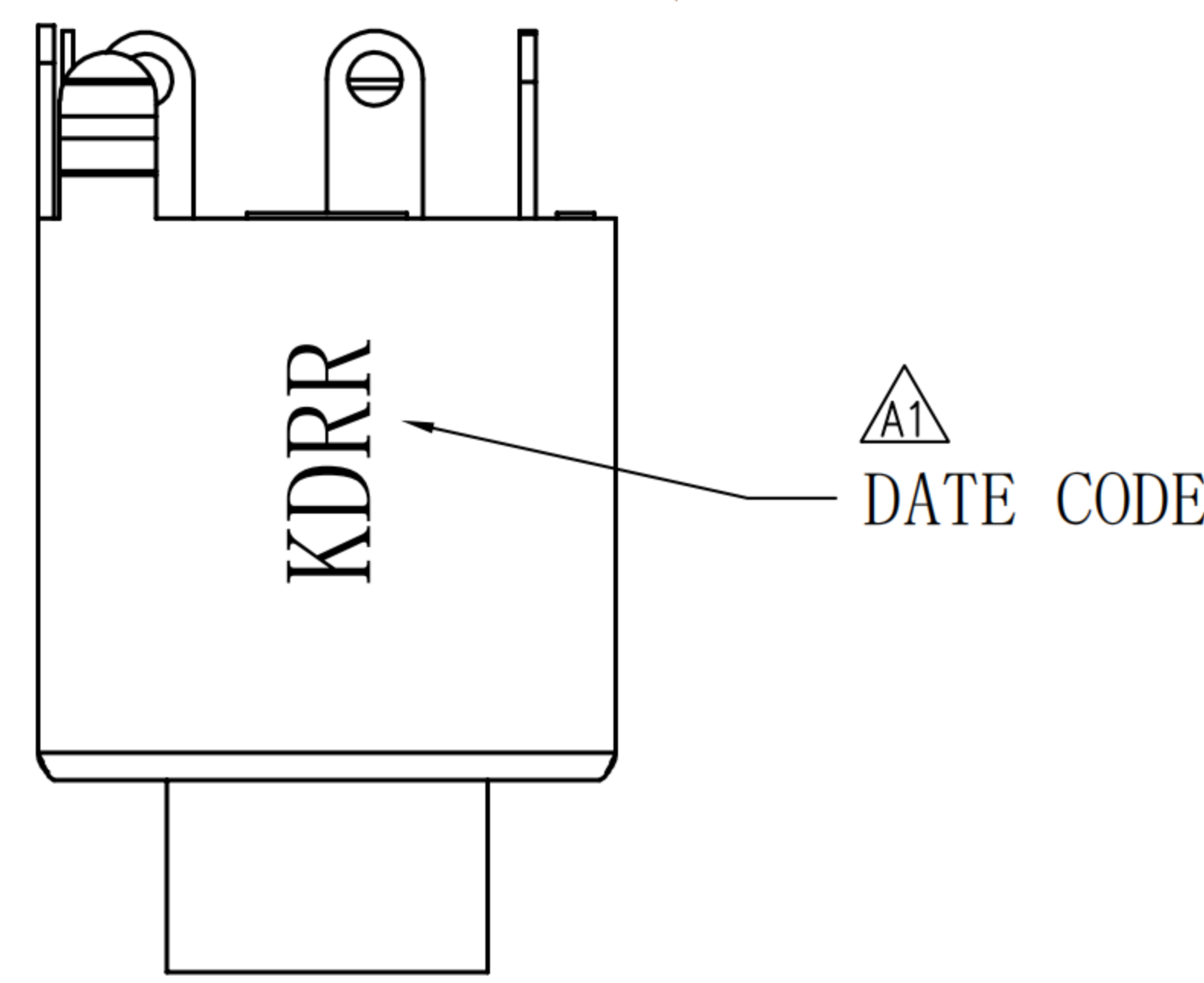
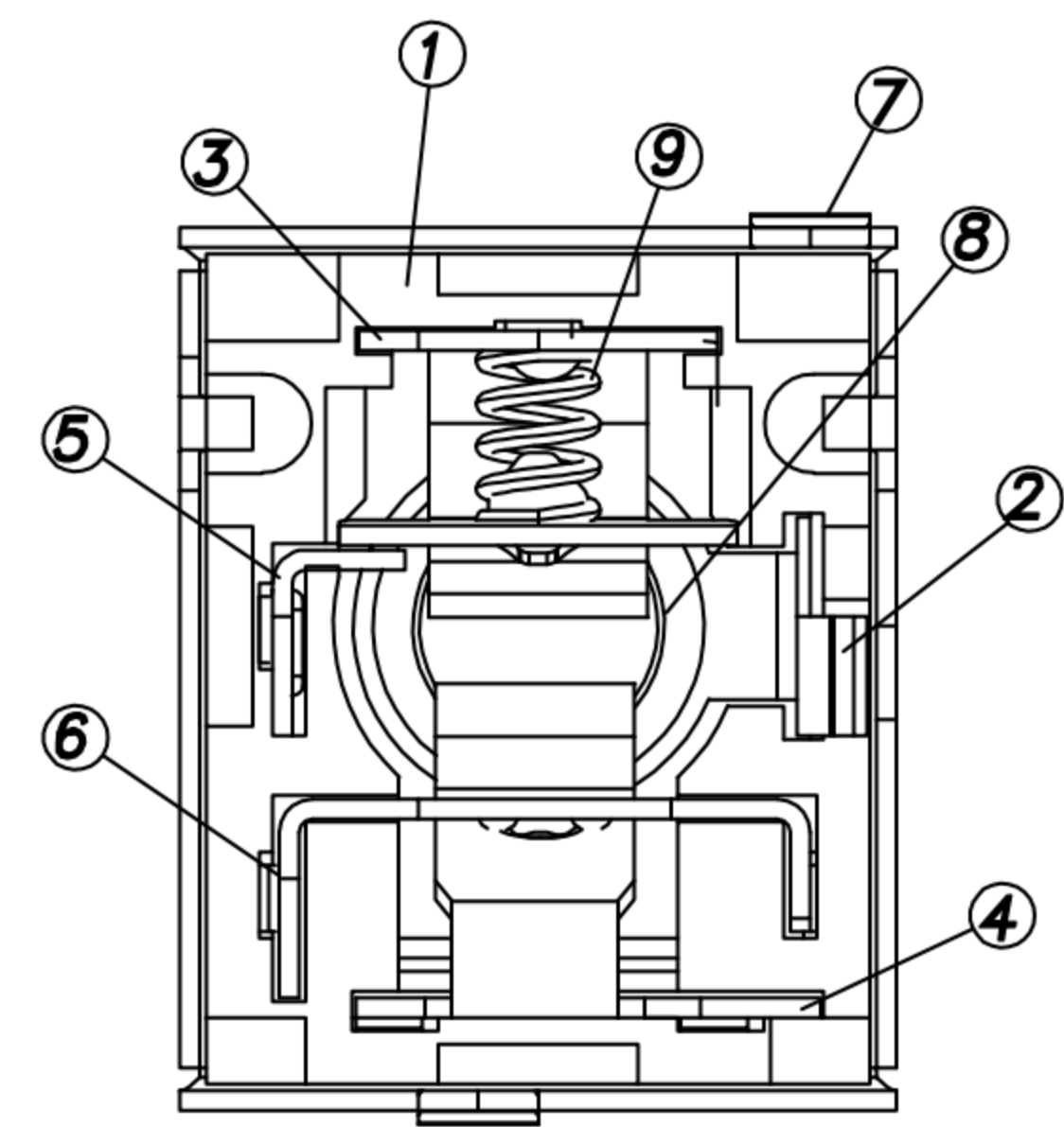


- Ordering information:
GD-PJS-3054F
 (1) (2) (3) (4) (5) (6) (7)
 (1): Series No.
 (2): Schematic option: A, B, D
 (3): Material of housing:
 PB=PBT
 (4): Housing color:
 0A=Black (Standard)
 1A=Brown (0256)=PBT4815
 2L=Red (701C=XH1186)=PBT4815
 2R=Red (0046=XH1033)=PBT4815
 5F=Green (0389)=PBT4815
 5U=Green (577C=XH1185)=PBT4815
 6A=Blue (0011=XH1178)=PBT4815
 9A=White (0100=XH1013)=PBT4815
 (5): Terminal plating
 S=Silver (Ag)
 (6): Special option:
 00=No special option
 OH=HALOGEN FREE
 DO=Need to D/C
 N0=Only one spring is used
 A2 for 3# shrapnel
 (7): Packing mode:
 3=Plastic box packing
 4=Bag packing

PCB HOLES (BOTTOM VIEW) t=1.2mm
 NOTE: GENERAL TOLERANCE: ±0.05mm

- Specification:
 1. Rating : DC 30V 0.5A.
 2. Contact resistance: ≤30mΩ.
 After life test: ≤50mΩ.
 3. Insulation resistance: ≥100MΩ (500VDC).
 After life test: ≥50MΩ.
 4. Withstand voltage: 500VAC.
 5. Insertion and extraction force: 3N~30N.
 6. life test: 5000cycles min.
 7. Operation temperature range: -20°C~70°C.
 8. Preservative temperature range: -40°C~85°C.



NO.	DESCRIPTION	QTY	MATERIAL	REMARK
9	Spring	2	Stainless steel	
8	Bushing	1	Copper alloy	Ni 50u"
7	Metal cover	1	Brass t=0.30	Ni 50u"
6	Shunt terminal	1	Brass t=0.30	
5	Ring spring	1	Brass t=0.30	
4	Ring spring	1	Phosphor bronze t=0.30	Silver 8u"; Ni 50u" underplated
3	Tip spring	1	Phosphor bronze t=0.30	
2	Earth spring	1	Brass t=0.30	
1	Housing	1	PBT UL94V-0	See "Ordering infor"

ITEM NO.	DESCRIPTION	DRAWN	DATE
5	新增PLUG標號	Jack	052819
4	更新圖面	Jack	052419
3	新增3d上方圖	Jack	101918
2	更新圖面	Jack	092818
1	新增尺寸	Jack	070717

TOLERANCE UNLESS OTHERWISE STATED:
 Up to 5 ±0.2
 Above 5 ~ 15 ±0.3
 Above 15 ~ 30 ±0.4
 Above 30 ~ 50 ±0.5
 Angle ±0.3°

3RD. ANGEL'S

UNITS MM

东莞市高迪电子有限公司
 Dong Guan KDRR Electronic Switch Jack Co., Ltd.

DRAWN BY:	DATE	MAT'L	TITLE	JACK
Ming Ming Zou	6/8/23			
CHECKED BY:	DATE	FINISH	MODLE	PHONE JACK
Ning Ning Su	6/8/23			
APPROVED BY:	DATE	SCALE	DWG NO.	GD-PJS-3054F
Jia Xiang	6/8/23	1:1		
SHEET NO.	1 of 1	PART NO.		
				SIZE A4
				VER R5